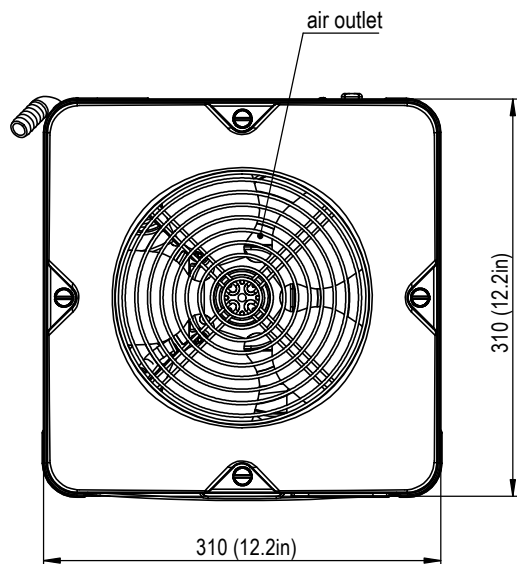
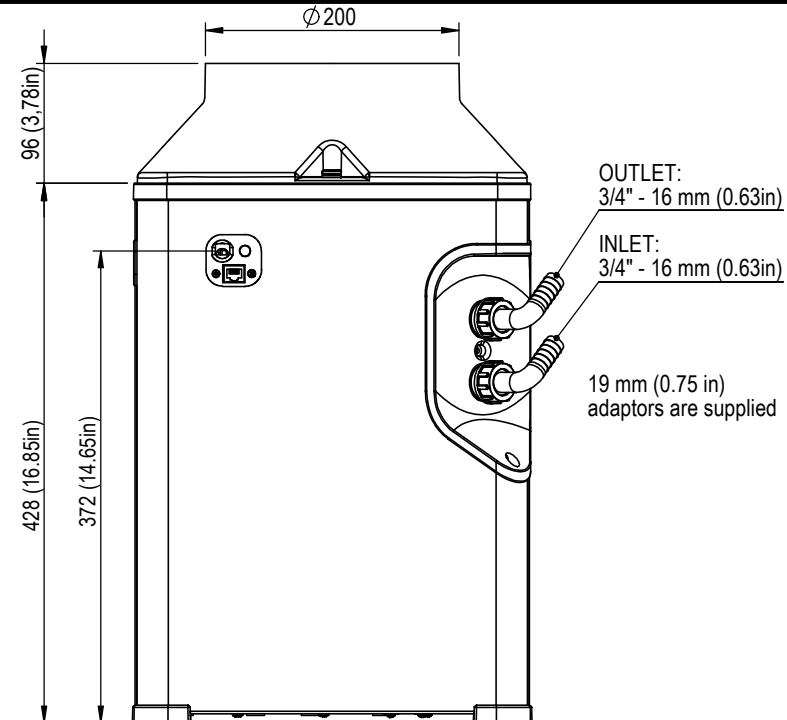
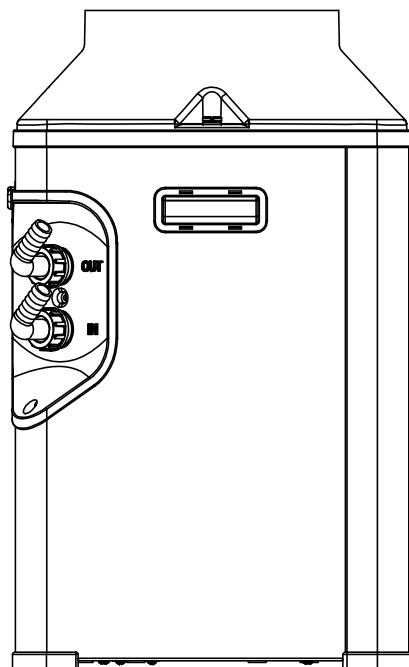


air inlet



Voltage-Frequency	115V - 60Hz	
Current Consumption (Cooling)	3,6 A *	(3,9A**)
Power Consumption (Cooling)	330 W *	
Cooling Capacity	790 W *	2690 Btu/h *
Dimensions	310mm x 310mm x 524mm (h)	12.2in x 12.2in x 20,6 in (h)
Weight	21,4 kg	47,2 lb
Min and Max Water Flow	500 l/h - 800 l/h	132 Usgal/h - 211 Usgal/h
Air Flow	215 m³/h	7600 CFH
Maximum Exchanger's Pressure	1 bar	14,4 PSI
Ambient Temperature Range	10°C - 38°C	50°F - 100°F
Water Temperature Range	18°C - 22°C	64°F - 72°F
Unit of measure of temperature	°F (also °C available on request)	
Protection Grade	CE / IPX4	
Refrigerant	R290	
* reported value refers to the following condition: room temperature 30°C (86°F), water temperature 20°C (68°F)		
** reported value refers to the following condition: room temperature 38°C (100°F), water temperature 20°C (68°F)		
All data are approximate and may be changed without notice by TECO		

Material:	Drawing: 115V - 60Hz R290 HY2000 Technical Data		
Thickness:	File: HY2000_r290_technical_data		
Finishing:	Your.code:	Code: TKC#HY40CF21_	
Volume:	Tol.	Scale: 1:6	Date: 17/02/2020
Approved:	Via Gregorio Ricci Curbastro, 8 48124 Fornace Zarattini - RA - Italy Tel. +39 0544 408333 Fax 280084 http://www.tecoonline.com		
	Drawer: Giulia		

AS BY LAW ENACTED WE RESERVE US THE PROPERTY OF THIS DOCUMENT WITH THE PROHIBITION OF REPRODUCE IT, SAVE IT INTO ARCHIVES SYSTEM, GIVE IT OR HOWEVER LENT IT TO THIRD PARTY WITHOUT OUR AUTHORIZATION. EVERY VIOLATION INVOLVES THE COMPENSATION FOR THE UNDERGONE DAMAGES.WE MAKE RESERVATIONS ABOUT ALL THE RIGHTS DERIVING FROM PATENTS OR MODELS.

Drawer: Modify: